

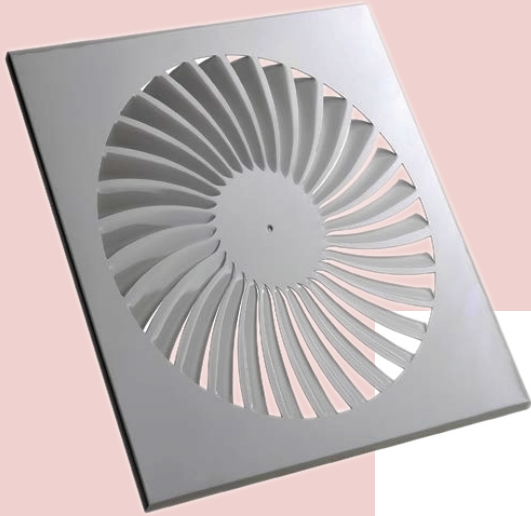
CEILING DIFFUSER-LOUVERED FACE

SQUARE SWIRL DIFFUSER

SCDT 200

APPLICATION

SCDT200 is applied for areas of high heat load where large quantities of cool air must be rapidly mixed with room air. This would include industrial applications with ceilings from 2.4m to 3.6m height. For areas which require an entire air change in a short period of time, up to 30 changes per hour. For open office environments, multiple units can be arranged in a row or more than one row.



FEATURED STANDARD CONSTRUCTION

- Material: Constructed of 1.2mm aluminum sheet face diffuser with fixed horizontal deflectors
- Finishing: RAL 9010

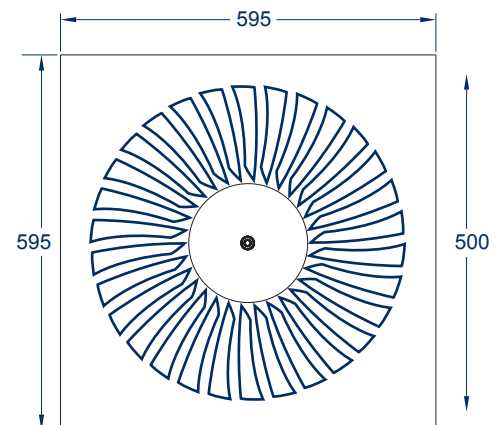
OPTIONS

- Round neck 20"
- Any RAL color upon request
- Plenum box (p. 2)

STANDARD SIZE

Face Size (millimeter)
595 x 595

N.B: - For non standard sizes, please consult our engineers



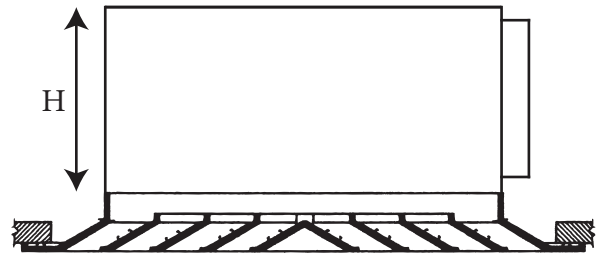
Plenum Box

SIDE INLET

With Plenum Box Side Inlet

Minimum Inlet Size= 4"

Height= Inlet + 2" + 1³¹/₃₂"



TOP INLET

With Plenum Box Top Inlet

Minimum Inlet Size= 4"

Maximum Inlet Size= A(duct size) - 2"

From inlet 4" to 12" H= 6¹¹/₁₆"

for inlet >12" H= 9⁹/₁₄"

